

Spare Parts Catalogues

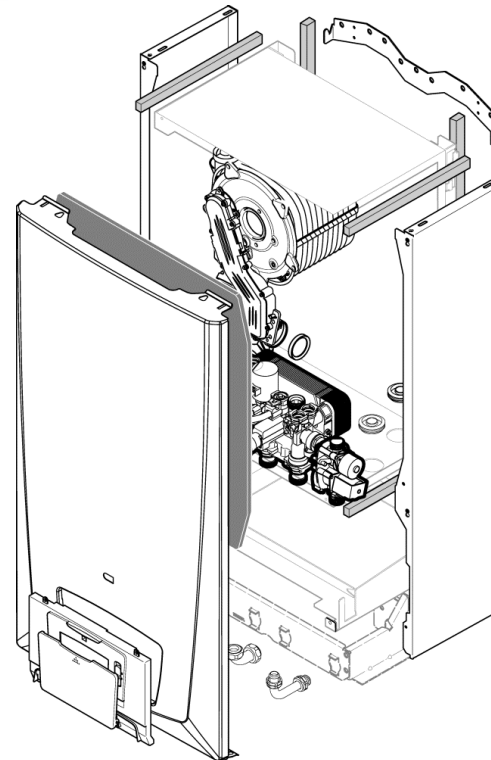


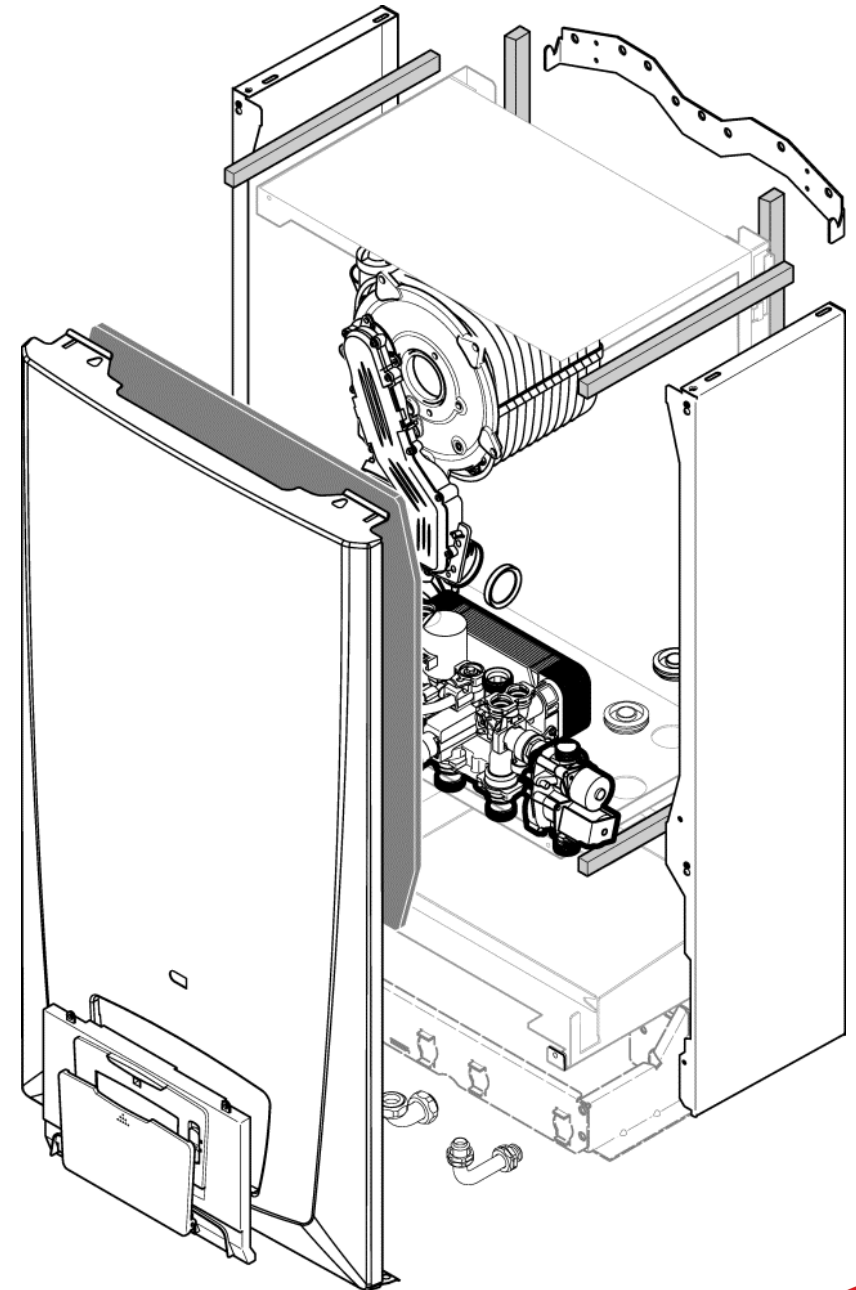
**Saunier Duval**

---

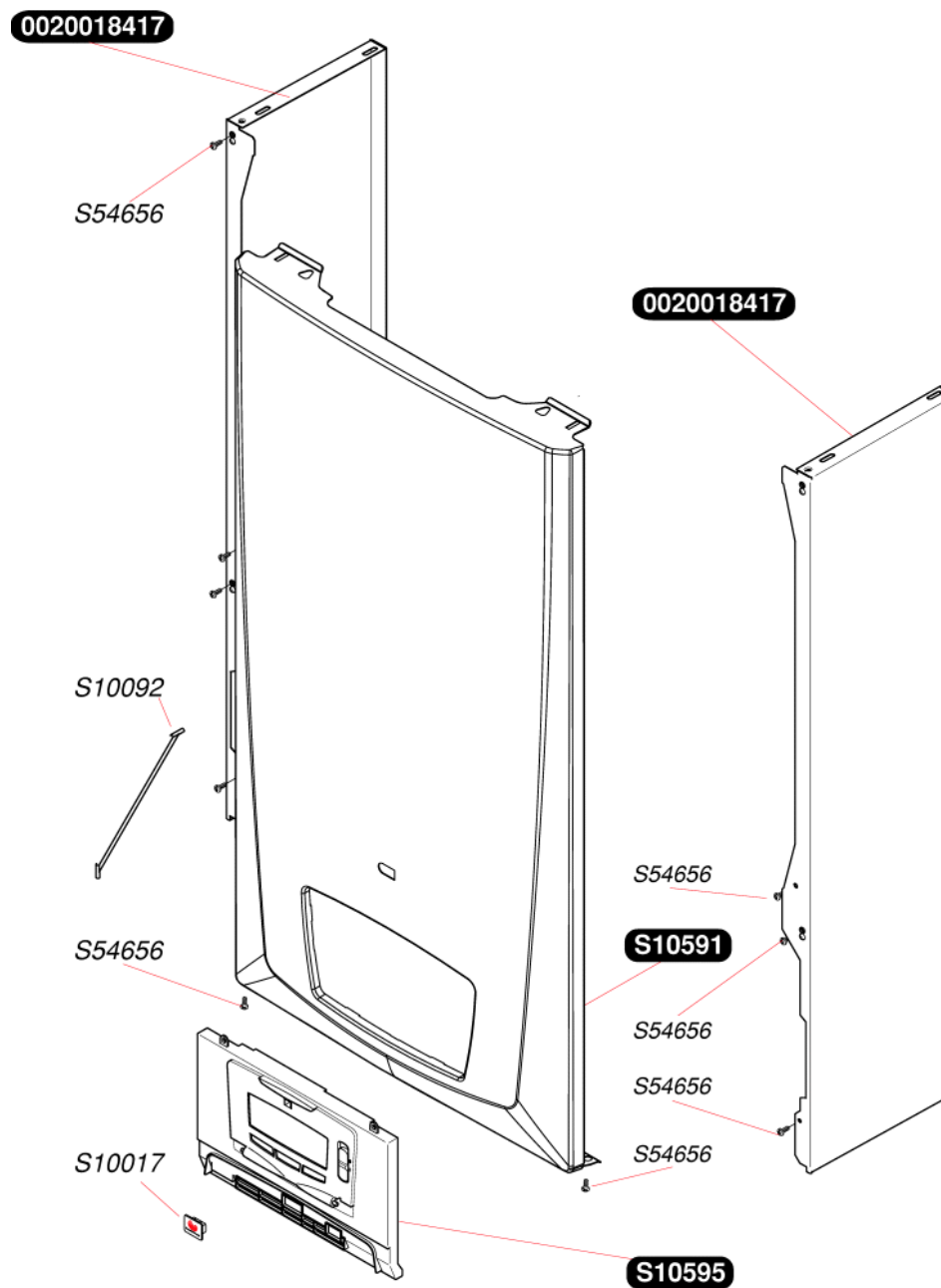
**Themacondens F 24**

---

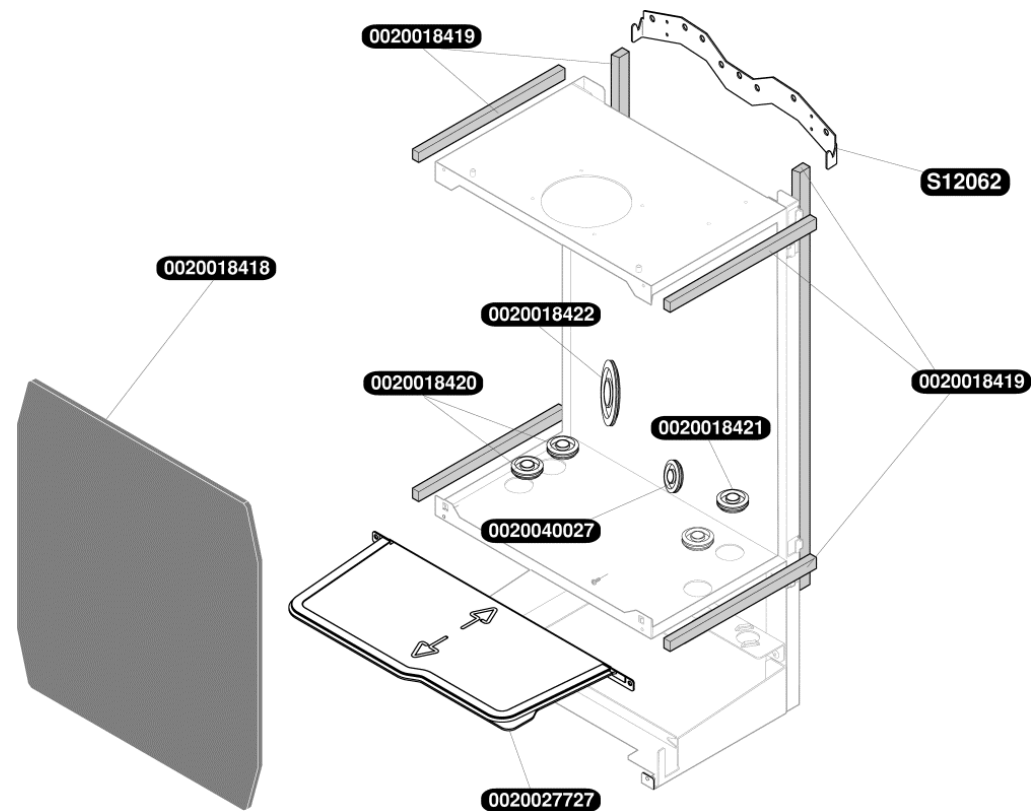




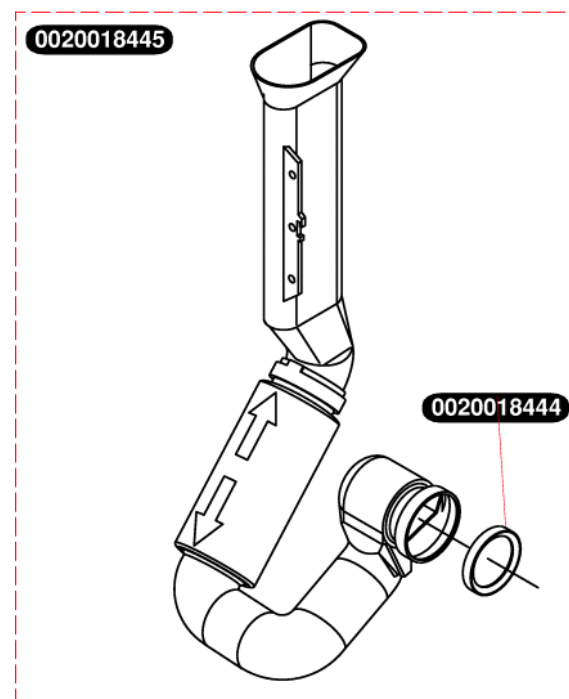
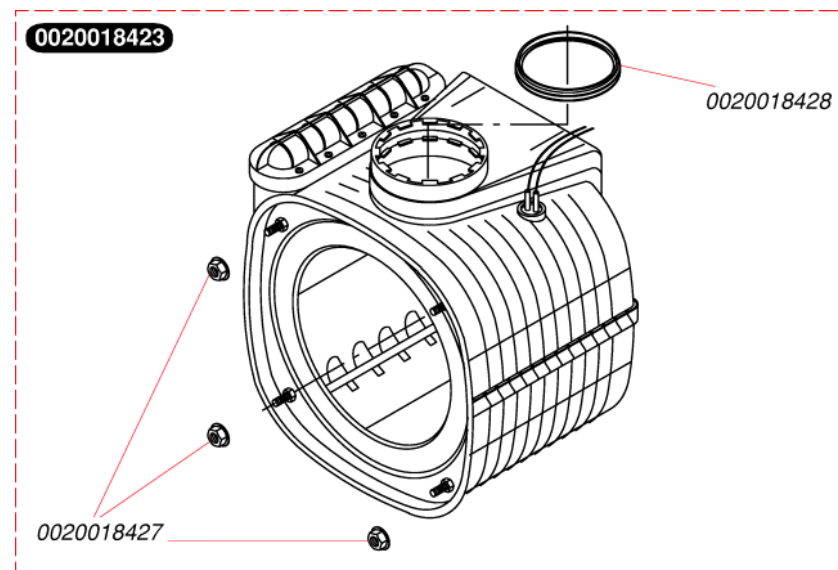
0020018417	1	Side panel
S10017	10	Brand name
S10092	5	Strap
S10591	1	Front Panel
S10595	1	Control panel
S54656	50	Screw 4,2X13,5 (pk50)



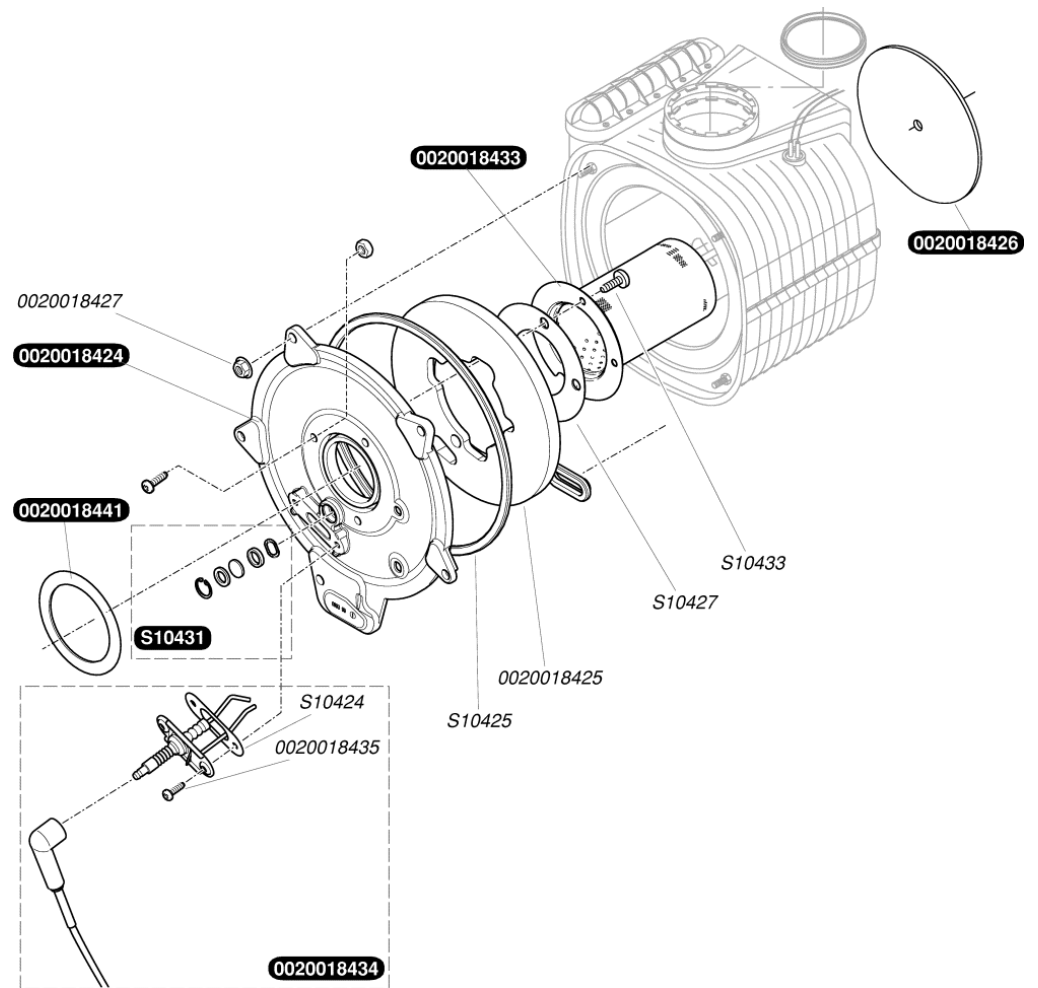
0020018418	1	Front panel insulation seal
0020018419	6	Washer panel
0020018420	10	Outlet pipe
0020018421	5	Outlet pipe
0020018422	5	Outlet pipe
0020027727	1	Plate
0020040027	5	Covering plate
S12062	1	Strip terminal



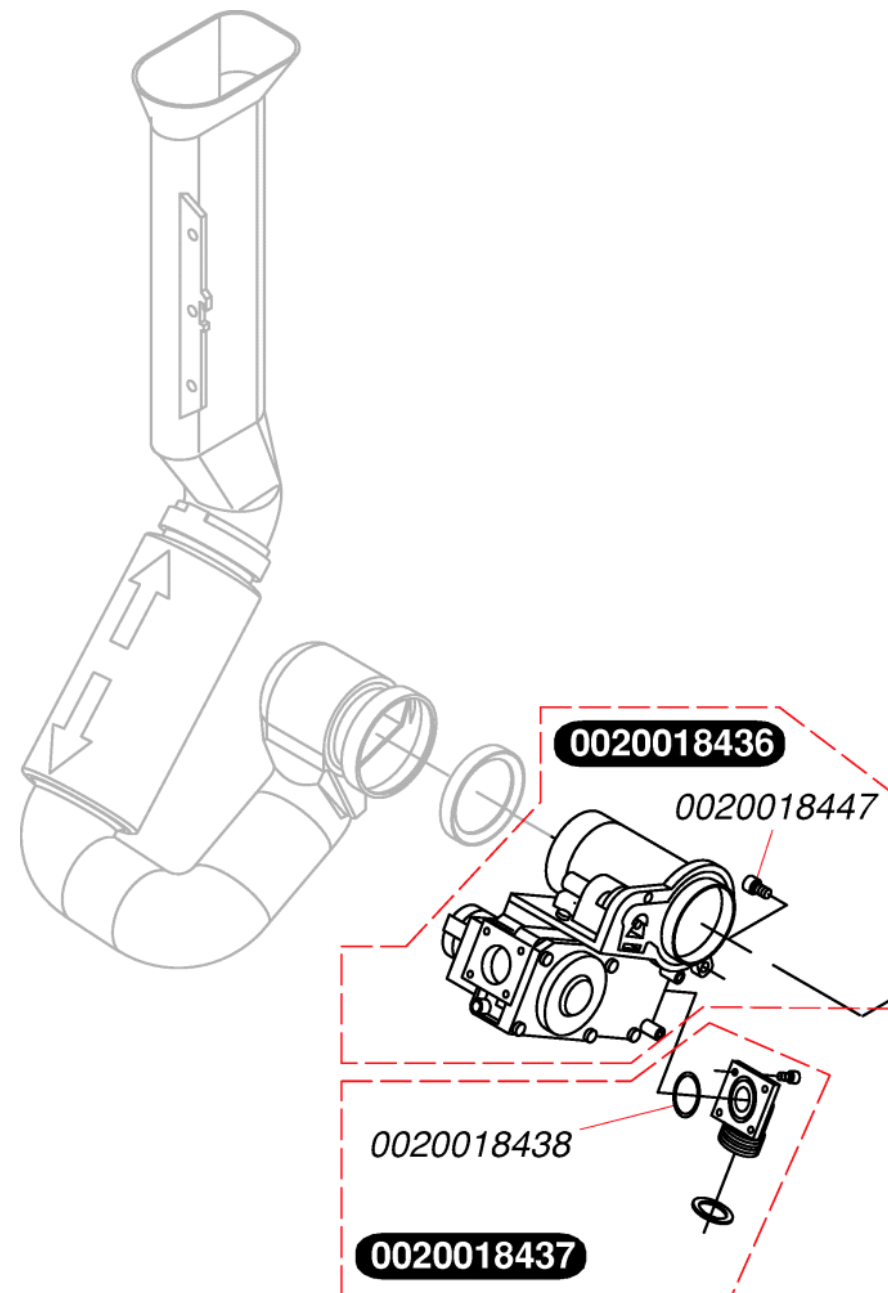
0020018423	1	Heat exchanger
0020018427	10	Nut (PK10)
0020018428	5	Seal (PK5)
0020018444	10	Seal (PK10)
0020018445	1	Air inlet pipe



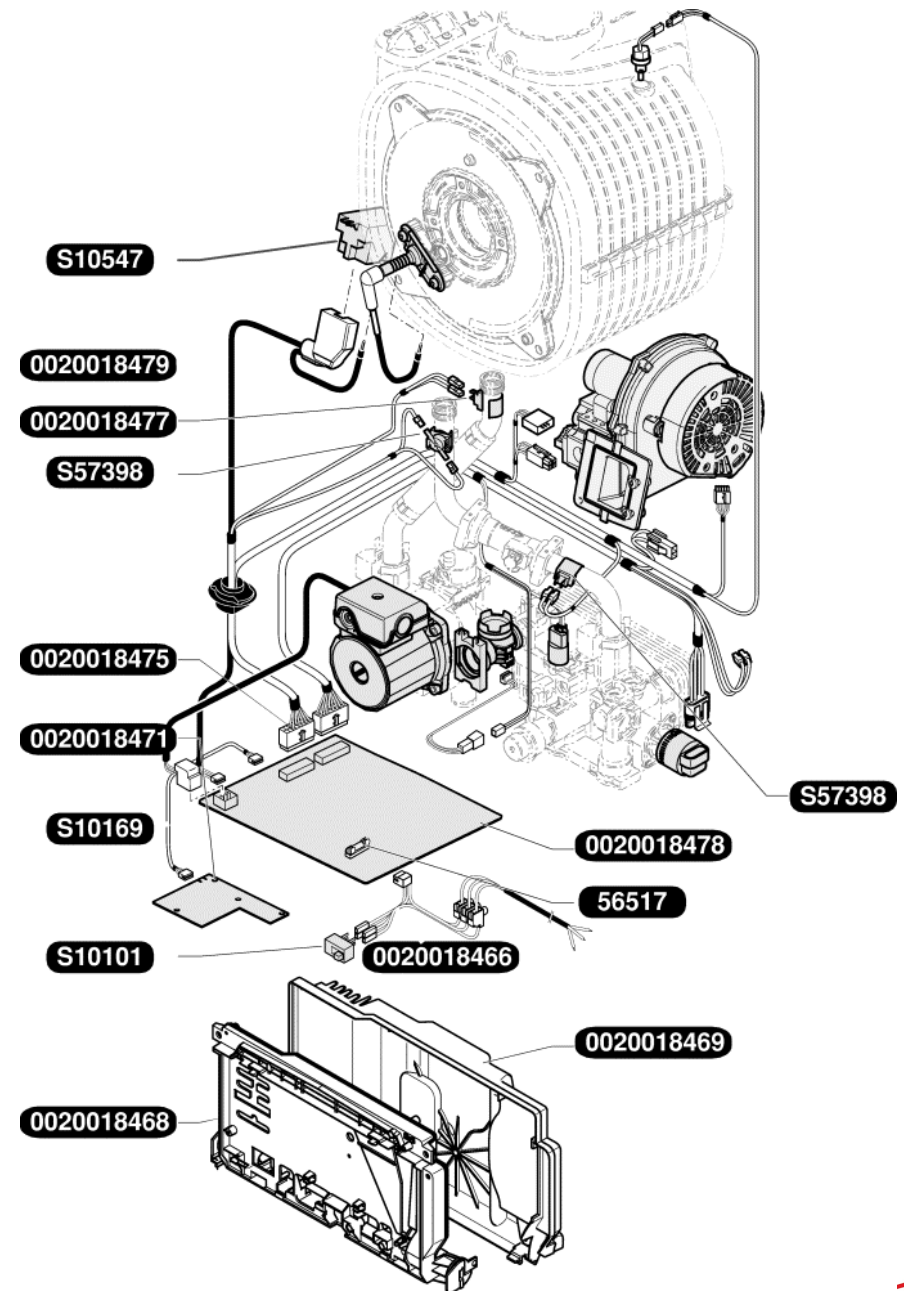
0020018424	1	Door of visit exchanger
0020018425	1	Insulation of door
0020018426	1	Insulation of bottom exchanger
0020018427	10	Nut (PK10)
0020018433	1	Burner
0020018434	1	Electrode+ screw + gasket
0020018435	10	Screw (PK10)
0020018441	5	Seal (PK5)
S10424	5	Gasket electrode
S10425	1	Washer heat exchanger
S10427	1	Gasket burner
S10431	1	Sight glass replacement kit
S10433	10	Screw M6x10



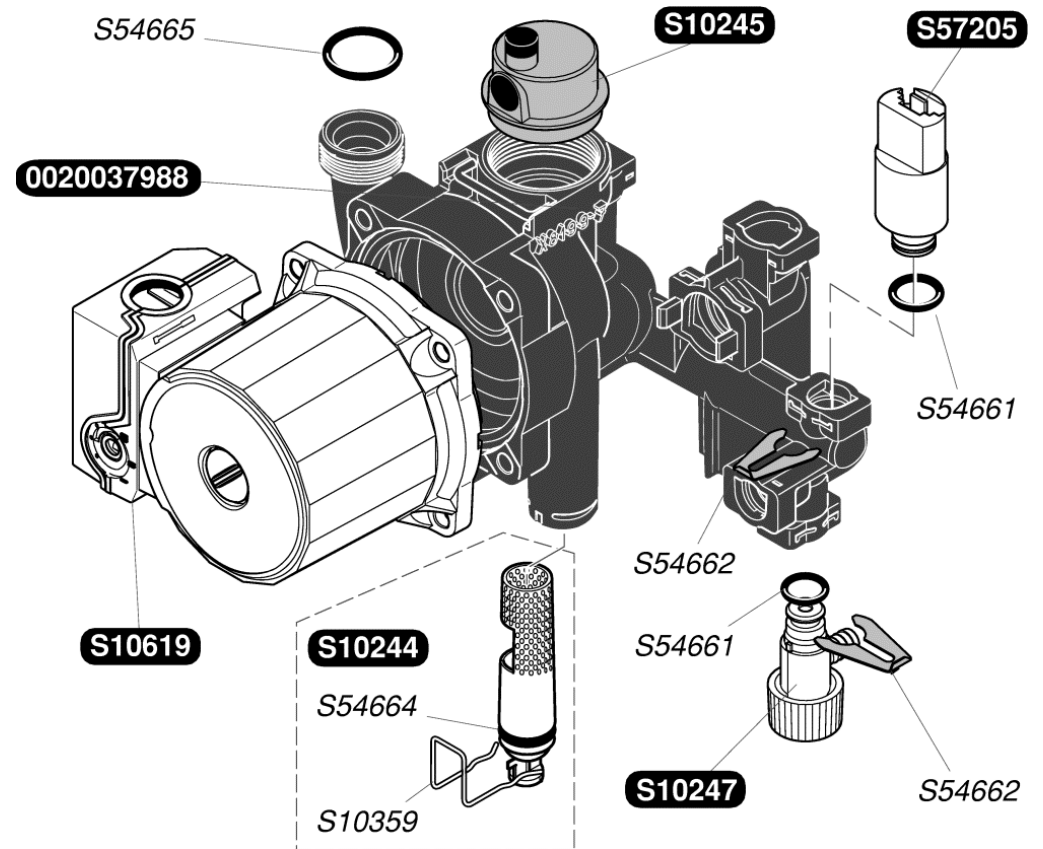
0020018436	1	Gas section
0020018437	1	Connector gas valve
0020018438	10	Seal (PK10)
0020018447	10	Screw (PK10)



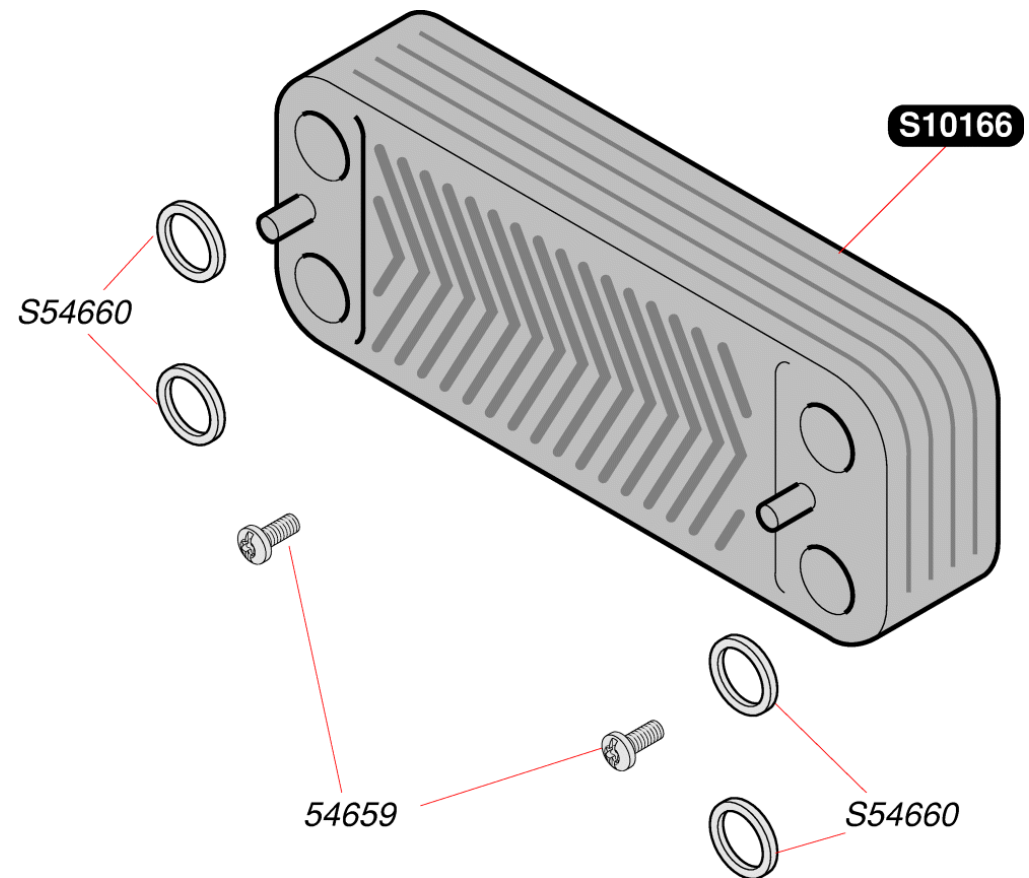
0020018466	1	Supply harness
0020018468	1	Plastic control box
0020018469	1	Plastic control box cover
0020018471	1	Display
0020018475	1	Hydraulic harness
0020018477	1	Overheat thermostat
0020018478		Printed circuit board
0020018479	1	Ignition lead
56517	1	Fuse 2A (pk5)
S10101	1	Switch On/Off
S10169	1	Cable tree
S10547	1	Spark ignition
S57398	1	Sensor temperature



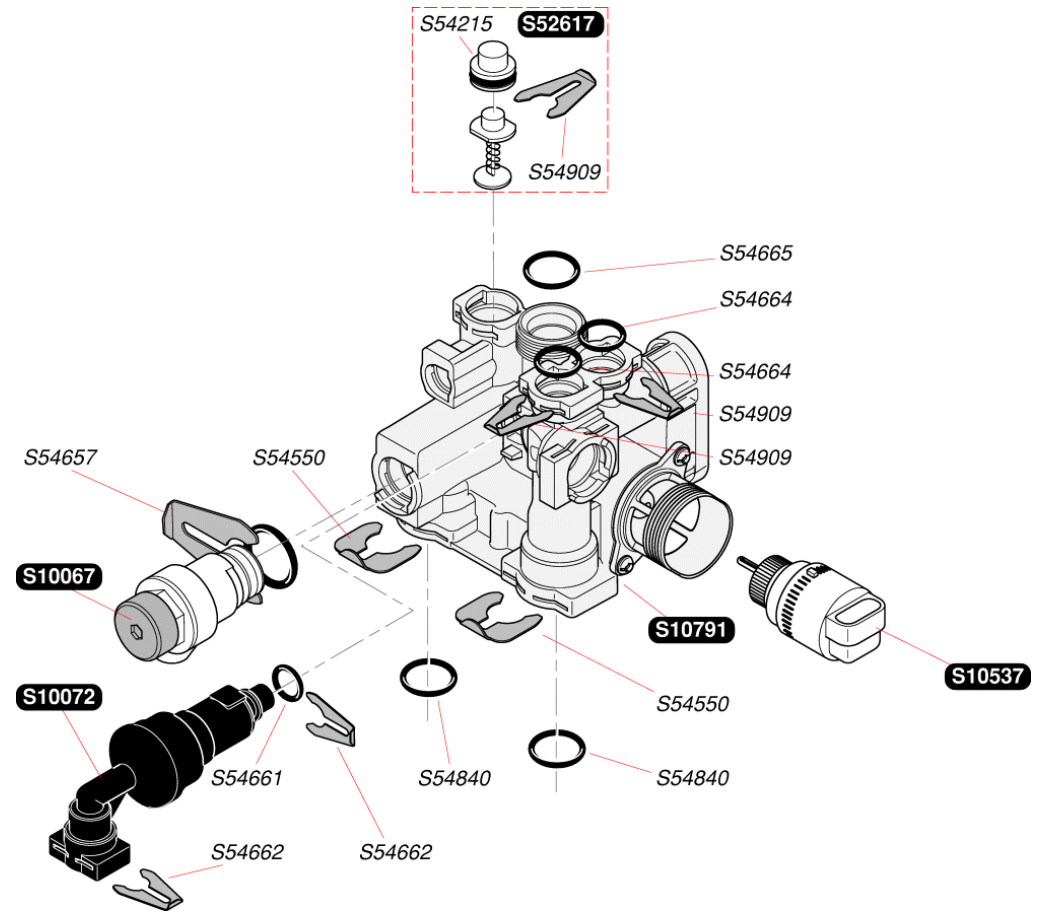
0020037988	1	Block pump
S10244	1	Heating filter
S10245	1	Automatic de-aerator
S10247	1	Valve de aeration
S10359	1	Clip (pk10)
S10619	1	Motor pump
S54661	20	O ring (pk20)
S54662	10	Clip (pk10)
S54664	20	O ring (pk20)
S54665	20	O ring (pk20)
S57205	1	Pressure sensor



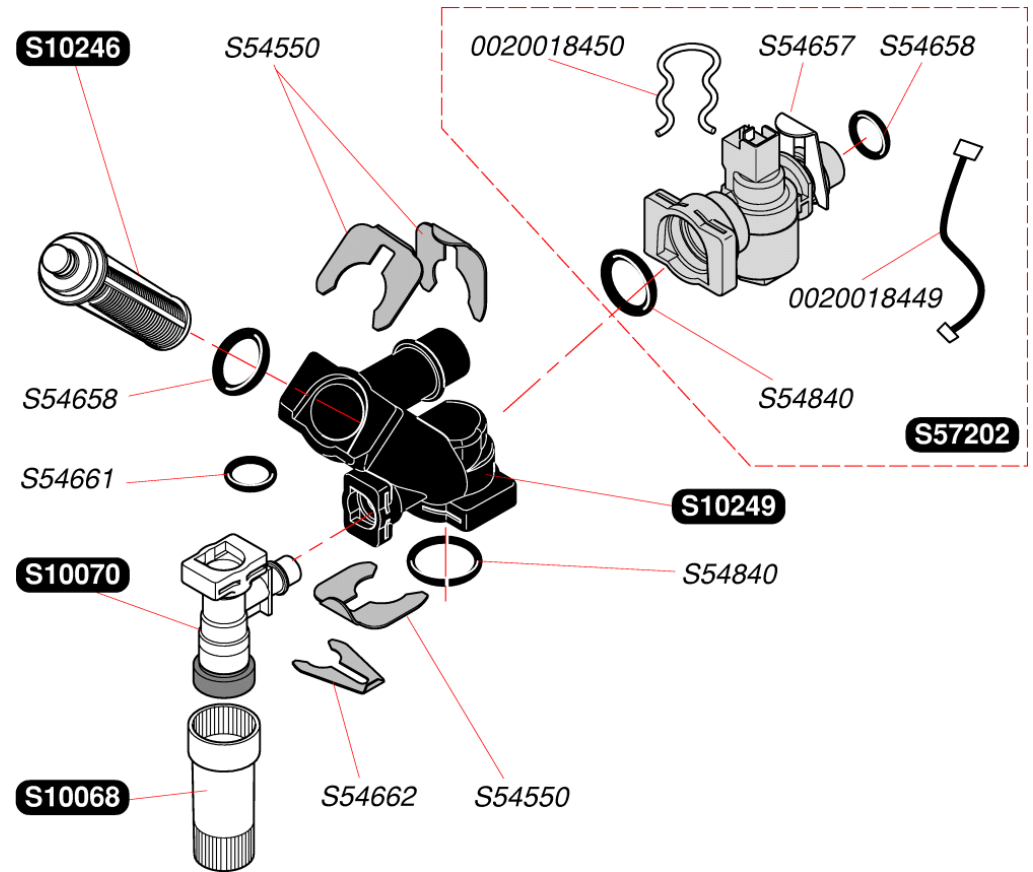
54659	50	Screw (pk50)
S10166	1	Domestic Heat Exchanger 12plt
S54660	20	Washer (pk20)



S10067	1	Heating valve 3bars
S10072	1	Non-return valve
S10537	1	3Wv motor
S10791	1	3 way valve assembly
S52617	1	By pass
S54215	25	O ring (pk25)
S54550	10	Clip Ø20 (pk10)
S54657	10	Clip Ø18 (pk10)
S54661	20	O ring (pk20)
S54662	10	Clip (pk10)
S54664	20	O ring (pk20)
S54665	20	O ring (pk20)
S54840	10	O ring (pk10)
S54909	15	Clip (pk15)

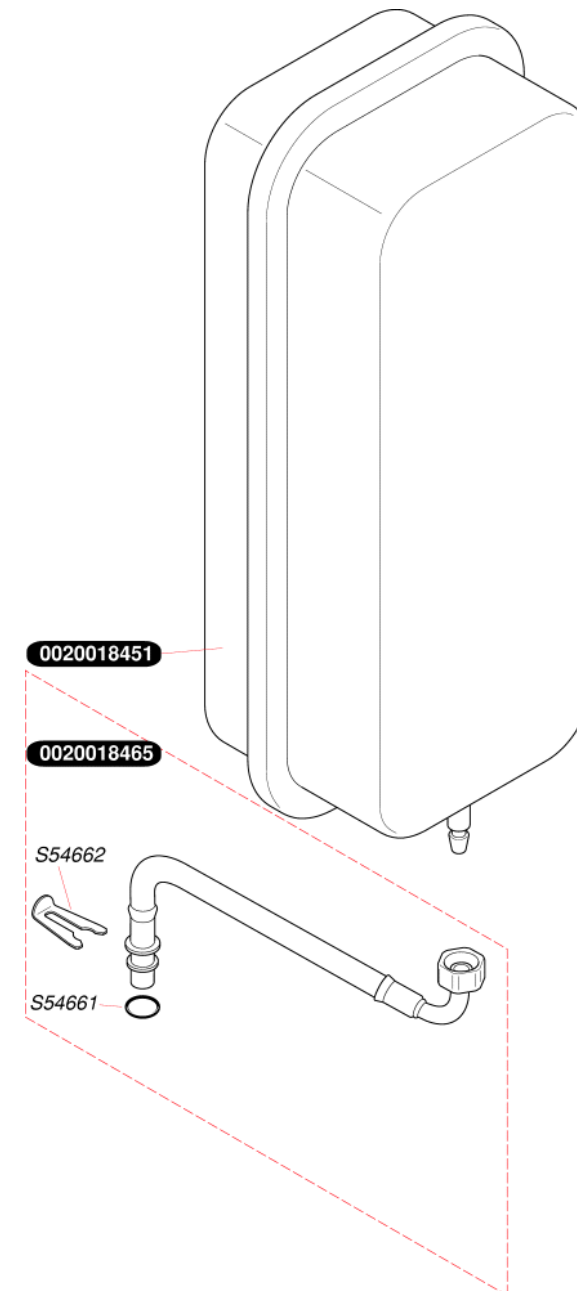


0020018449	1	Domestic hot water sensor cable
0020018450	1	Clip (pk10)
S10068	1	Handle extension adapter
S10070	1	Filling cock
S10246	1	Sanitary filter
S10249	1	Z pipe
S54550	10	Clip Ø20 (pk10)
S54657	10	Clip Ø18 (pk10)
S54658	20	O ring (pk 20)
S54661	20	O ring (pk20)
S54662	10	Clip (pk10)
S54840	10	O ring (pk10)
S57202	1	Domestic hot water sensor

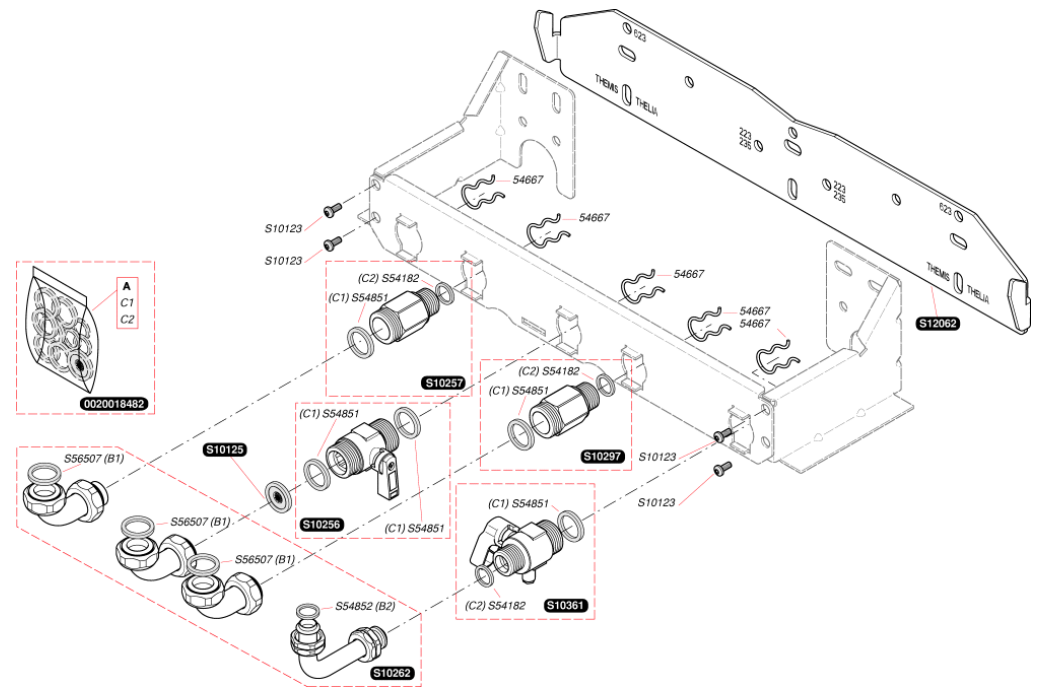




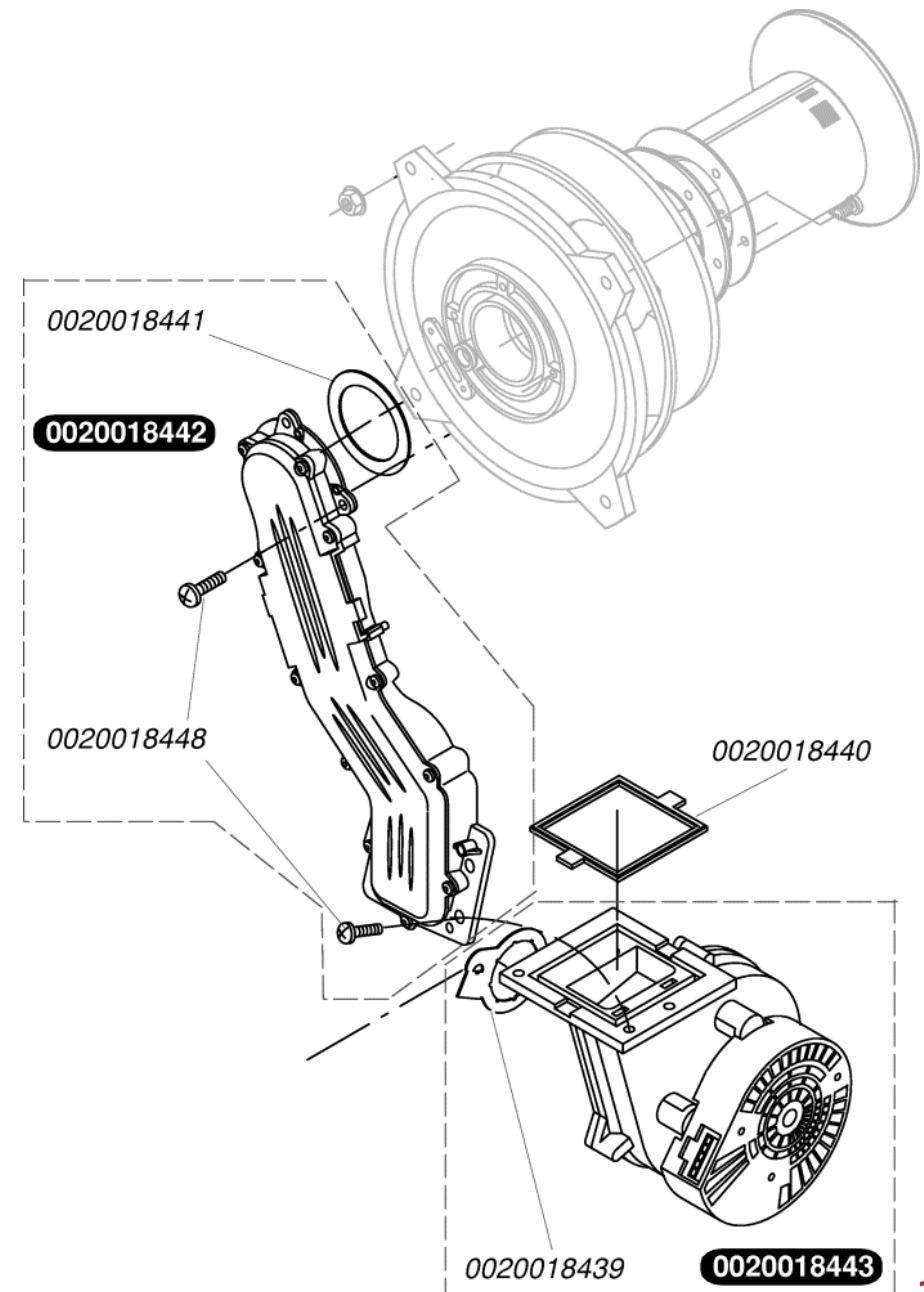
0020018451	1	Expansion vessel 8L + o-ring
0020018465	1	Flexible expansion vessel
S54661	20	O ring (pk20)
S54662	10	Clip (pk10)



0020018482	1	Washer pack & limiter 12L
54667	10	Clip (pk10)
S10123	25	Screw
S10125	10	Flow limiter 12L
S10256	1	Mixing valve
S10257	1	Clod water tap
S10262	1	Connection tube
S10297	1	Connection
S10361	1	Gas tap
S12062	1	Strip terminal
S54182	100	Washer (pk100)
S54851	100	Washer (pk100)
S54852	100	Gasket (PK100)
S56507	50	Washer 3/4 (pk50)



0020018439	3	Seal (PK5)
0020018440	5	Gasket (PK5)
0020018441	1	Seal (PK5)
0020018442	1	Arm mixture
0020018443	1	Fan
0020018448	10	Screw (pk10)



0020018429	1	Siphon assembly
0020018430	2	Flexible hose
0020018432	1	Seal siphon (PK5)

